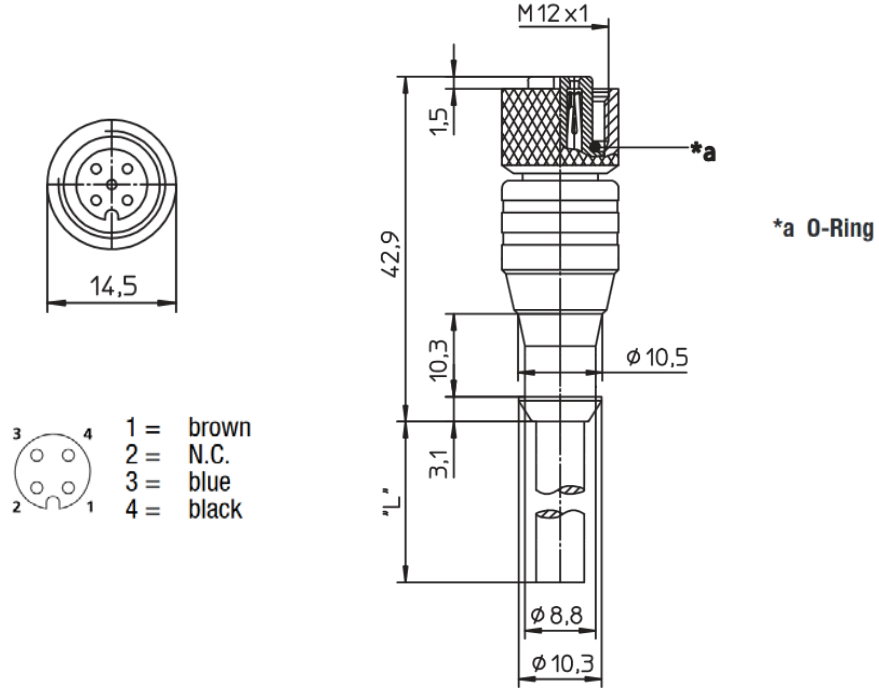


Drawings



Technical Data

Cordage Construction		Diameters (In)
Cordage Part Number	100	
Component 1	3 COND	
a) Conductor	22 (26/36) AWG Bare Copper	0.027
b) Insulation	0.010" Wall, Nom. mPPE	0.047
Insulation Colors	Black, Brown & Blue	
Jacket	0.046" Wall, Nom. PUR, Zero Halogen	0.200
a) Color(s)	SLATE	
Cord Configuration		
End 1	M12-A Female	
End 2	Cut End	
Insert	Black TPU	
Mold Color	Black TPU	
Contact	Copper Alloy, Gold plated	
Coupling Nut	Copper Alloy, Nickel plated	
O-Ring	FKM	
Available Lengths	0.6, 1, 3, 5, 10, 15, 20 Meters	
Applicable Specifications-Cable		

Issue: 1 Issue Date: 7/29/2016 Effective Date: 7/29/2016

UL	AWM/STYLE 20549 AWM/STYLE 21959	80°C / 300 V _{RMS} 90°C / 600 V _{RMS}
CSA International	C(RU) AWM I/II A/B FT1	90°C / 600 V _{RMS}
Applicable Specifications- Cord Set		
UL	ANSI/UL 2238, Cable Assembly Extension RU, UL File Number E485156	
CSA	CSA-C22.2 No. 182.3, Special Use Attachment Plugs, Receptacles and Connectors cRU, UL File Number E485156	
Nominal Voltage	240 V	
Rated Voltage	250 V	
Ingress Protection	IP67/NEMA 6P	
Environmental Compliance		
CE	All materials used in the manufacture of this part meet the requirements of European Directive 2011/65/EU regarding the restriction of use of certain hazardous substances in electrical and electronic equipment. Exemption used; 6a.	
REACH Regulation (EC 1907/2006)	This product does not contain Substances of Very High Concern (SVHC) listed on the European Union's REACH candidate list in excess of 0.1% mass of the item.	
Physical & Mechanical Properties		
Temperature Range, Cord	-50 to 90°C(static), -40 to 80°C (dynamic)	
Temperature Range, Connector	-25°C to +80°C	
Bend Radius	4X Cable Diameter (static), 6X Cable Diameter (dynamic)	
Pull Tension	15.3 Lbs, Maximum	
Current Rating	2.7 Amps @ 50°C	
Ordering Information		
AR0300100 SL355	0.6 Meters	
AR0300100 SL356	1.0 Meters	
AR0300100 SL357	3.0 Meters	
AR0300100 SL358	5.0 Meters	
AR0300100 SL359	10.0 Meters	
AR0300100 SL400	15.0 Meters	
AR0300100 SL401	20.0 Meters	
Standard Package	Each	